

PhenoPlate 384-well microplates

Introduction

Revvity PhenoPlates™, formerly known as CellCarrier™ Ultra microplates, have been engineered to deliver superior images and the highest quality data for high-content applications.

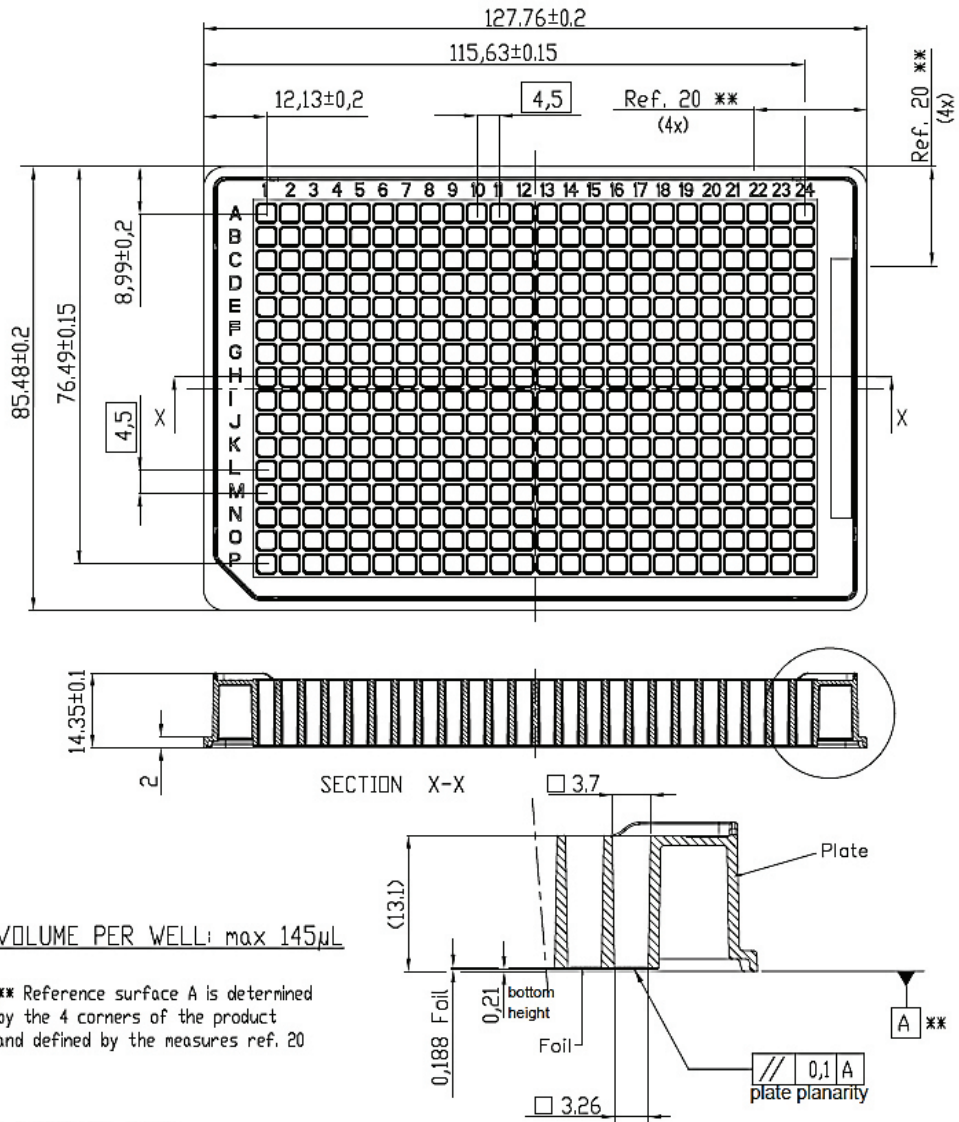
- Optimal clarity and fast autofocusing from excellent flatness of the plate bottom.
 - Superior image quality from high optical quality of cyclic olefin imaging surface - black optically clear cyclic olefin microplate (Refractive index of 1.53).
 - Better well access when using water immersion and high NA objectives with ultra-low plate bottom ($200 \pm 10 \mu\text{m}$).
 - Reduced evaporation from new design, low-profile polystyrene lid.
 - Less risk of damaging the imaging surface when stacking with unique corner spacers.
- Available with different coatings to suit your application:
 - Tissue-culture treated.
 - Fibronectin-coated to mimic natural cellular environment and enhance cell adherence.
 - Poly-D-lysine or collagen-coated to facilitate cell adherence and proliferation.
 - ULA-coated to reduce cell adherence and intended for studying 3D spheroids or suspension cells.



Product information

Product name	Packaging format	Part number
PhenoPlate 384-well, black, optically clear flat-bottom, tissue-culture treated, lids, case of 50	50 individually pouched plates	6057300
PhenoPlate 384-well, black, optically clear flat-bottom, tissue-culture treated, lids, case of 40	2 bags of 20 plates	6057302
PhenoPlate 384-well, black, optically clear flat-bottom, tissue-culture treated, lids, case of 160	8 bags of 20 plates	6057308
PhenoPlate 384-well, black, optically clear flat-bottom, tissue-culture treated, non-irradiated, lids, case of 160	8 bags of 20 plates	6057328
PhenoPlate 384-well, black, optically clear flat-bottom, poly-D-lysine-coated, lids, case of 40	2 bags of 20 plates	6057500
PhenoPlate 384-well, black, optically clear flat-bottom, poly-D-lysine-coated, lids, case of 160	8 bags of 20 plates	6057508
PhenoPlate 384-well, black, optically clear flat-bottom, collagen-coated, lids, case of 40	2 bags of 20 plates	6057700
PhenoPlate 384-well, black, optically clear flat-bottom, collagen-coated, lids, case of 160	8 bags of 20 plates	6057708
PhenoPlate 384-well, black, optically clear flat-bottom, fibronectin-coated, lids, case of 10	10 individually pouched plates	6057600
PhenoPlate 384-well, black, optically clear flat-bottom, fibronectin-coated, lids, case of 40	2 bags of 20 plates	6057602
PhenoPlate 384-well, black, optically clear flat-bottom, ultra-low-attachment-coated, lids, case of 10	10 individually pouched plates	6057800
PhenoPlate 384-well, black, optically clear flat-bottom, ultra-low-attachment-coated, lids, case of 40	2 bags of 20 plates	6057802

Plate dimensions



PhenoPlate dimensions for harmony® software microplate definition wizard

Plate Type Definition Wizard ! ? x

Welcome

Define Template

Specify Plate Dimensions

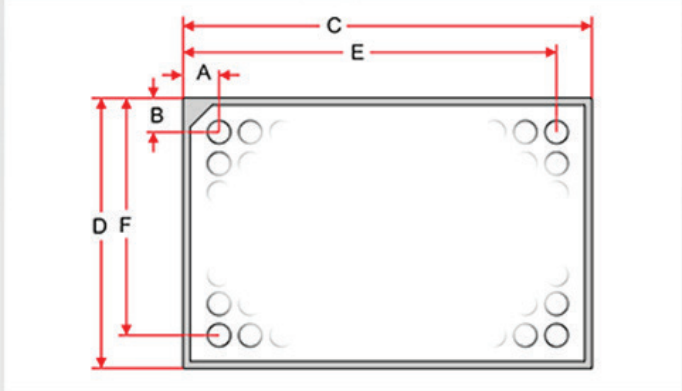
Specify Well Dimensions

Describe Plate

Finish Wizard

Step 4 / 7

Please enter the dimensions of the plate type.



A:	<input type="text" value="12.13"/> mm	C:	<input type="text" value="127.76"/> mm	E:	<input type="text" value="115.63"/> mm
B:	<input type="text" value="8.99"/> mm	D:	<input type="text" value="85.48"/> mm	F:	<input type="text" value="76.49"/> mm

Plate Type Definition Wizard ! ? x

Welcome

Define Template

Specify Plate Dimensions

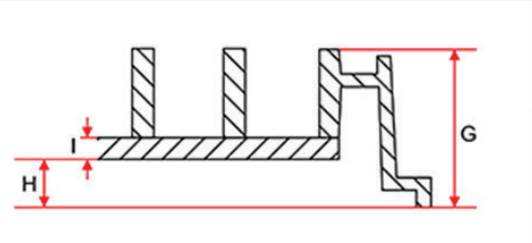
Specify Well Dimensions

Describe Plate

Finish Wizard

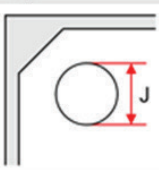
Step 5 / 7

Side:



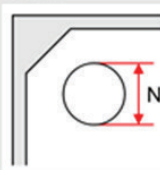
G:	<input type="text" value="14.35"/> mm
H:	<input type="text" value="0.21"/> mm
I:	<input type="text" value="0.19"/> mm

Top:



J: mm

Bottom:



N: mm

Revvity, Inc.
 940 Winter Street
 Waltham, MA 02451 USA
www.revvity.com

For a complete listing of our global offices, visit www.revvity.com
 Copyright ©2024, Revvity, Inc. All rights reserved.

1329807 (355623)