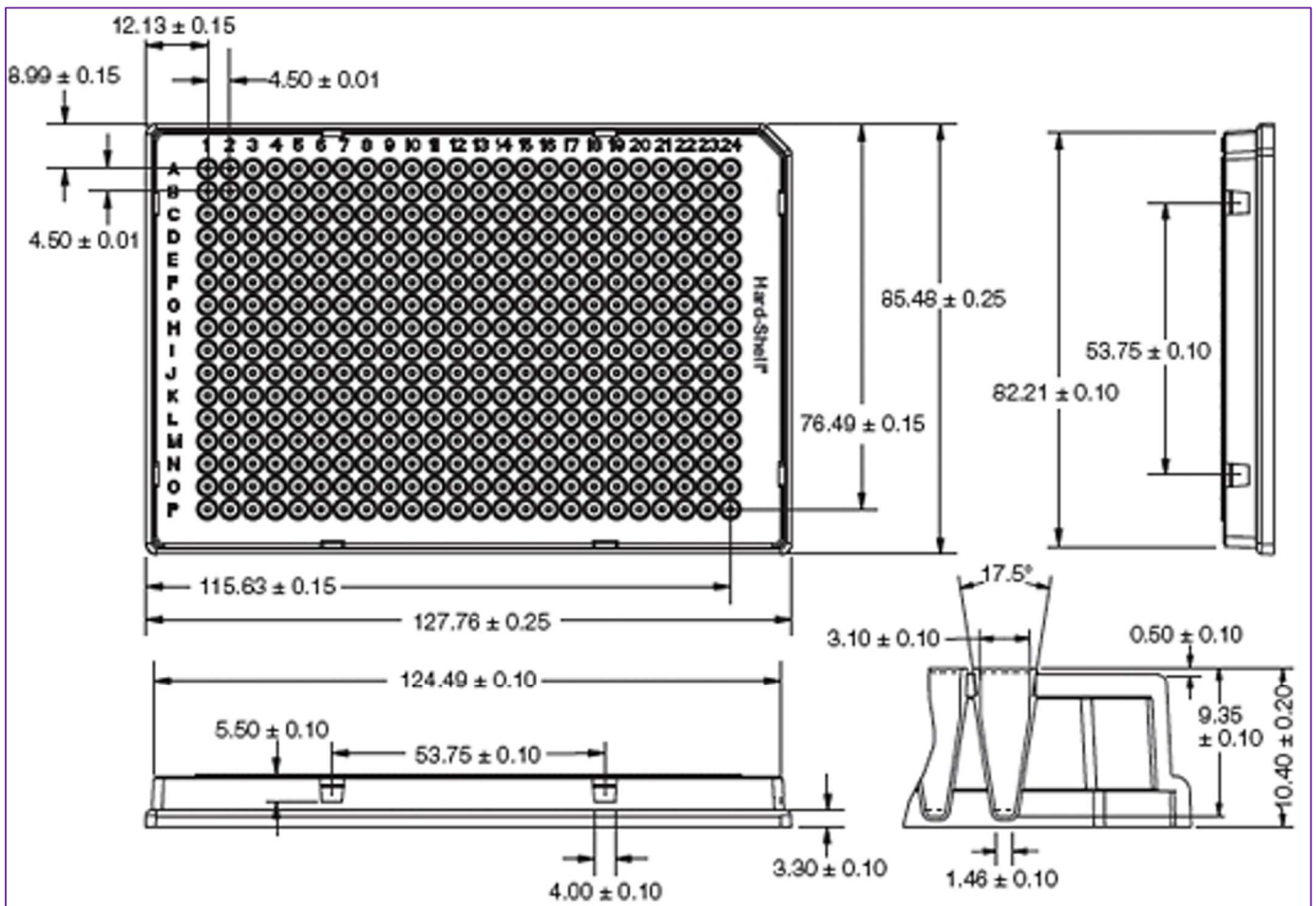


Research use only. Not for use in diagnostic procedures.

Technical datasheet: Dimensions of Hardshell PCR Plate-384 Blue

- Part numbers:** PN 6008910 Blue rigid frame with clear wells
- Material and treatment:** Patented, rigid two-component design 384-well PCR microplate. Blue frame, clear wells. Low-profile, thin-wall (polypropylene tubes). Free of DNase, RNase and human genomic DNA. Well volume is max 50 µL, working volume is 1 – 30 µL.
- Packaging:** 6008910 is a case with 50 plates, packed as 5 bags of 10 plates each.

Dimensions -- Customer Drawing:



All dimensions are in mm, unless otherwise mentioned.