

Research use only. Not for use in diagnostic procedures.

Technical datasheet:

Dimensions of OptiPlate-384 / CulturPlate-384 / SpectraPlate-384 / AlphaPlate-384

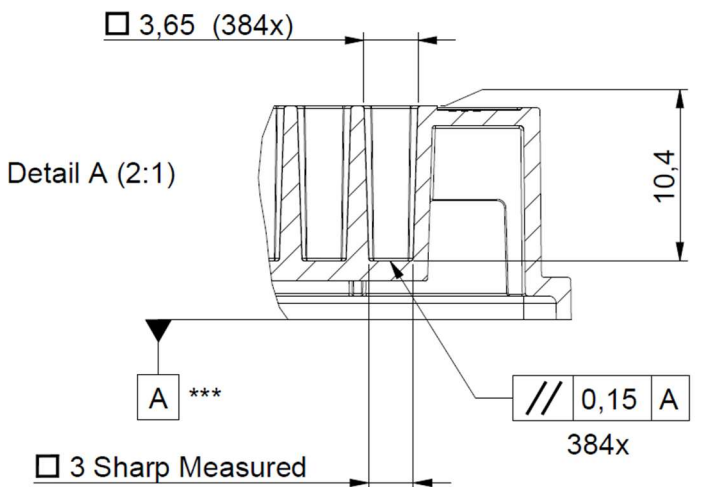
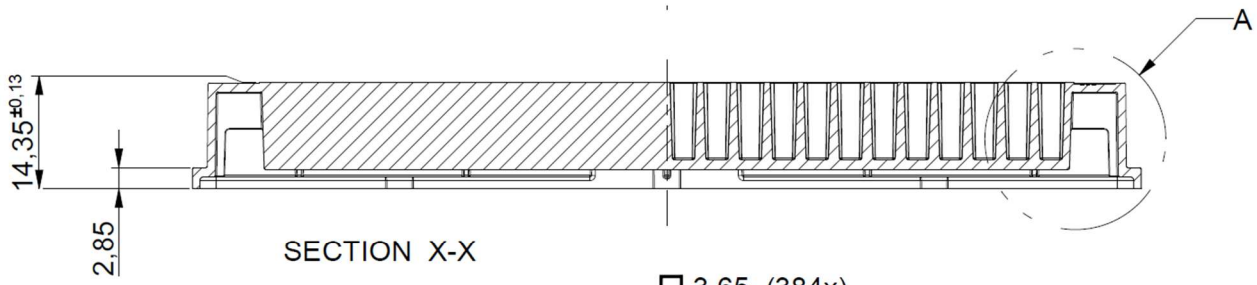
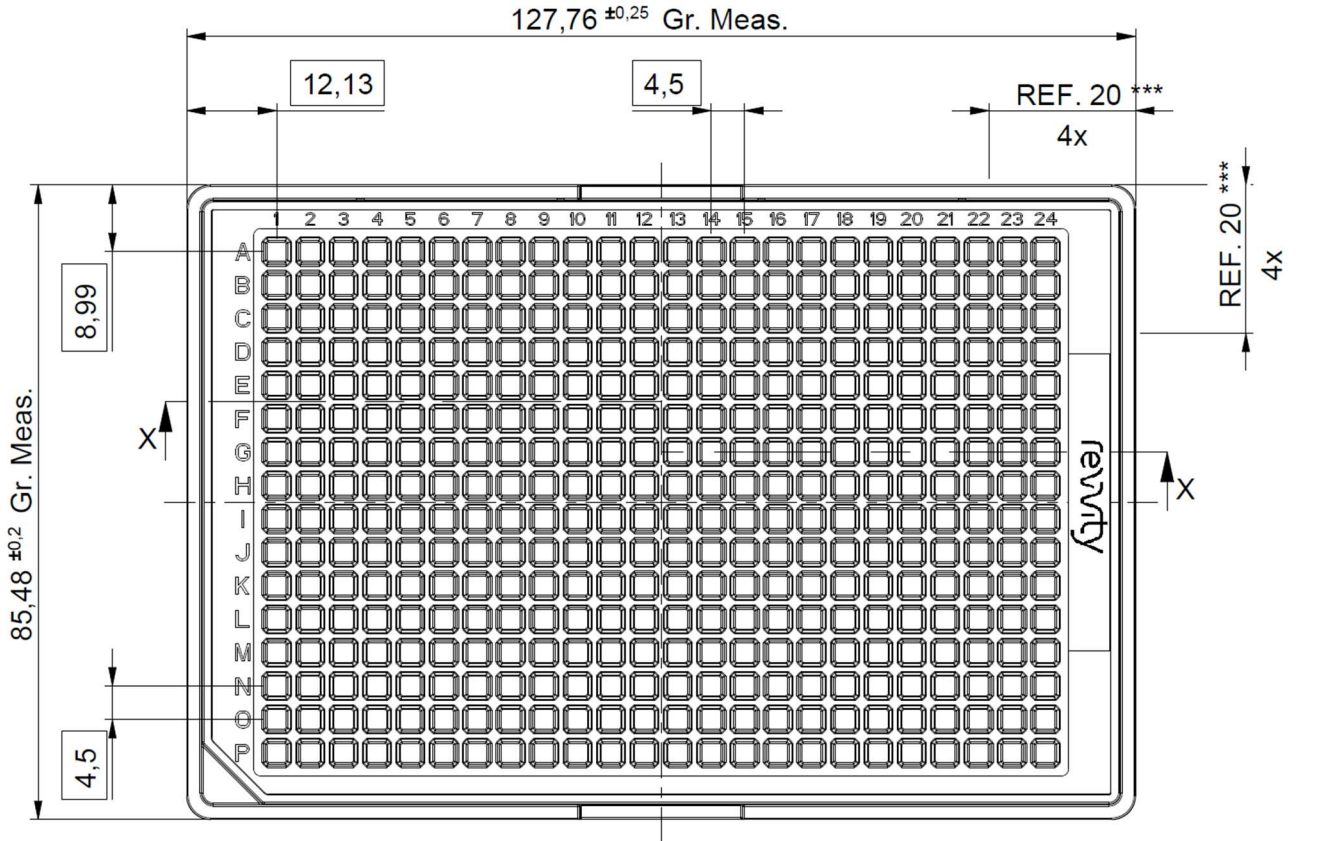
Part numbers:	PN 6007290 / 6007299	white, untreated (MB)
	PN 6005620 / 6005629	white, high protein binding affinity (HB)
	PN 6007680 / 6007688 / 6007689	white, TC-treated
	PN 6007270 / 6007279	black, untreated (MB)
	PN 6005520 / 6005529	black, high protein binding affinity (HB)
	PN 6007660 / 6007668 / 6007669	black, TC-treated
	PN 6007640 / 6007649	clear, untreated (MB)
	PN 6007500 / 6007509	clear, high protein binding affinity (HB)
	PN 6007650 / 6007658 / 6007659	clear, TC-treated
	PN 6005350 / 6005359	light gray, untreated (MB)
	PN 6057690 / 6057699	light gray, high protein binding affinity (HB)

Material and treatment: Black, white, transparent, or light gray polystyrene microplate with 384 flat-bottom wells. Plate is available untreated (medium binding (MB)), with high protein binding affinity (HB) or Tissue-Culture treated (TC).

Packaging: Plates are placed in diverse formats to provide you the right quality and protection during transport.

Format	Type	Part numbers
Case of 50 plates	Individually pouched (with lids)	6007680, 6007660, 6007650
Case of 50 plates	2 bags of 25 plates (no lids)	6007290, 6005620, 6007270, 6005520, 6007640, 6007500, 6005350, 6057690
Case of 160 plates	8 bags of 20 plates (with lids)	6007688, 6007668, 6007658
Case of 200 plates	8 bags of 25 plates (no lids)	6007299, 6005629, 6007689, 6007279, 6005529, 6007669, 6007649, 6007509, 6007659, 6005359, 6057699

Dimensions -- Customer Drawing:



*** Reference surface A is determined by the 4 corners of the product and defined by the measures Ref. 20

VOLUME PER WELL: max 110µL

All dimensions in mm